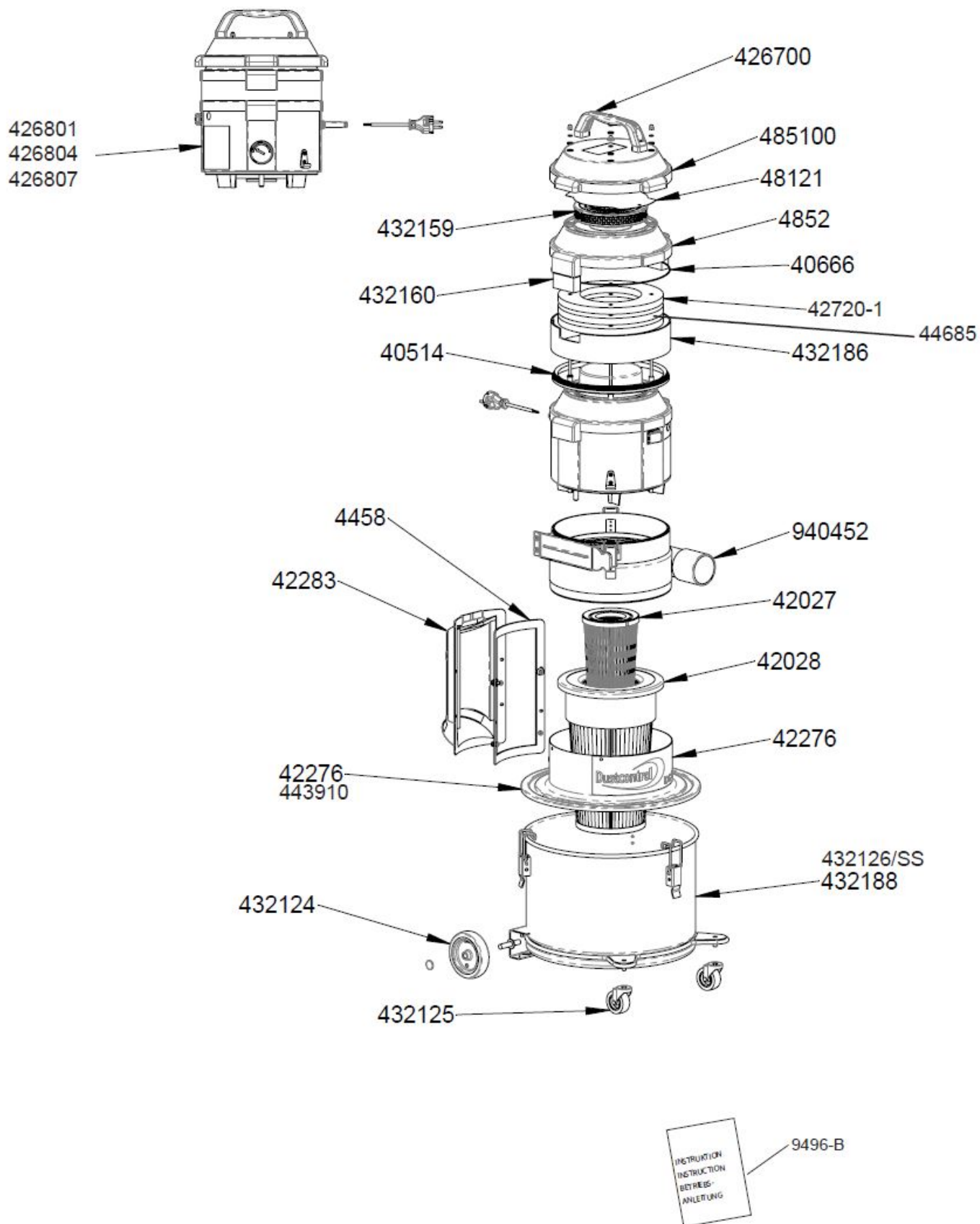


Reservedele/Spare parts

DC 2800 H EX SS

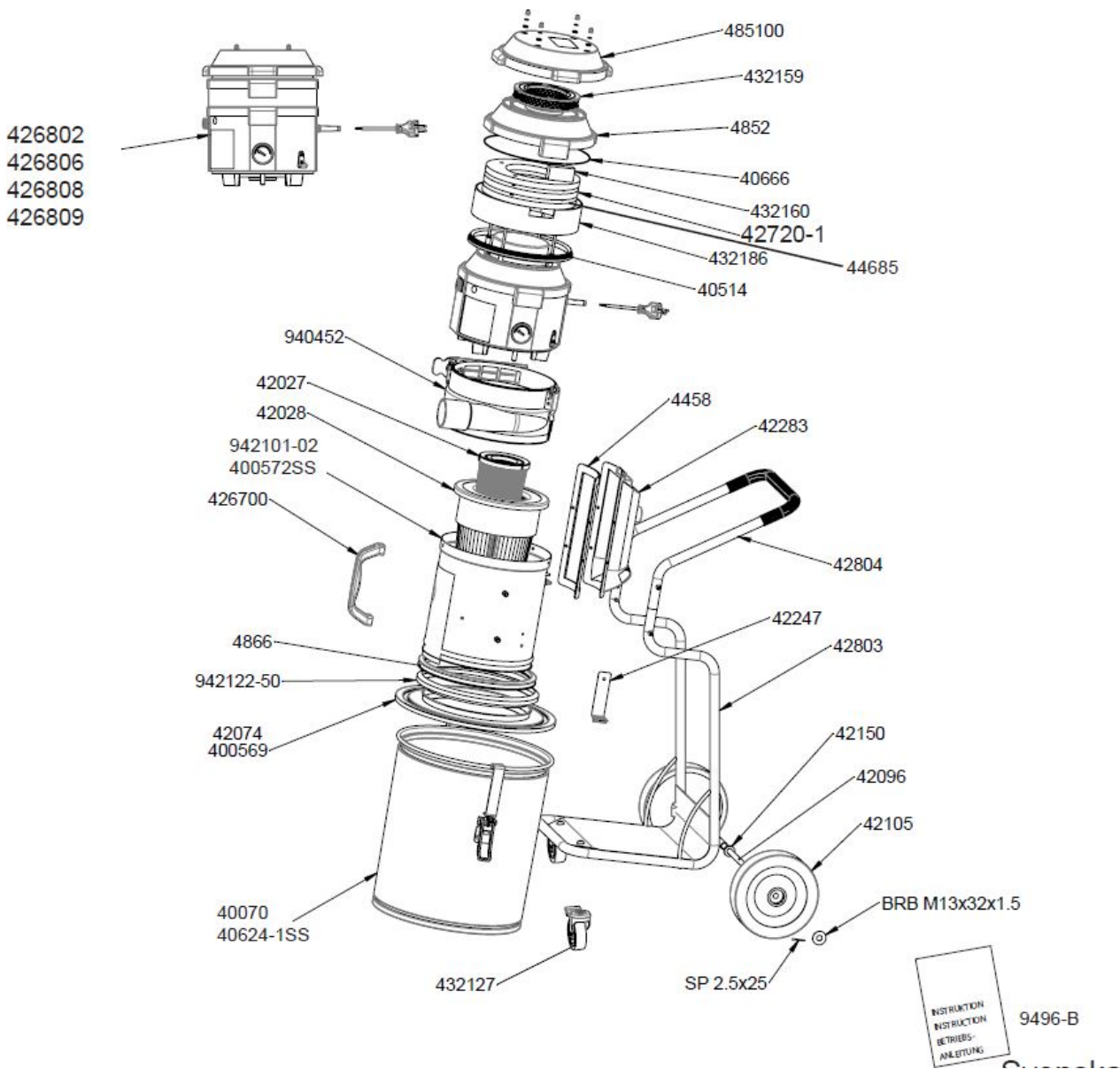


DC 1800 H EX SS

				Svenska	
Art nr	Benämning	Art nr	Benämning	Art nr	Benämning
40514	Packning 15x8 självhäftande	426807	Motoröverdel, DC1800 EX 120 V UK	4458	rad Packning utluftskanal 1800/2800
40666	Cellgummisnöre D=2+0,1	42720-1	Filter, nedre motoröverdel EX	48121	Förstärkningsplåt, lock
42027	HEPA-filter			485100	Lock utan hål
42028	Finfilter, polyester	443910	Cyklon/lock 1800 SS	4852	Lock, för luftfilter
42276	Cyklon/lock 1800	432124	Hjul, D=100, ESD	940452	Modul, inlopp ESD monterad
42283	Utluftskanal med absorberent	432125	Länkhjul, H-65, ESD		
426700	Handtag	432126	Behållare, 1800 EX SS	9496-B	Bruksanvisning i original DC 1800/2800 H EX
426801	Motoröverdel DC 1800 EX 230 V EU	432159	Luftfilter	44685	Packning
426804	Motoröverdel, DC1800 EX 120 V US/CAN	432160	Filterkudde		
		432186	Mantel EX plast		
		432188	Behållare H EX, monterad		

				English	
Part No	Description	Part No	Description	Part No	Description
40514	Gasket 15x8 self-adhesive	426804	Motor cover, DC1800 EX 120 V US/CAN	432160	Filter pad
40666	Cell Rubber Cord D=2+0.1	426807	Motor cover, DC1800 EX 120 V UK	432186	Sheath EX plastic
42027	HEPA filter	42720-1	Filter, lower motor cover EX	432188	Container, mounted
42028	Fine filter, polyester			4458	Gasket, triangular, back valve
42276	Cyclone/cap 1800	443910	Cyclone/cap 1800 Steel, Zinc	48121	Metal washer
42283	Outlet housing with absorberent	432124	Wheel, D=100, ESD	485100	Solid cover w/o hole
426700	Handle	432125	Castor, H-65, ESD	4852	Solid cover
426801	Motor cover, DC 1800 EX 230 V EU	432126	Container, mounted, 1800 EX	940452	Module, inlet ESD mounted
		432159	Air filter	9496-B	Original instructions DC 1800/2800 H EX
				44685	Gasket

DC 2800 H EX SS



DC 2800 H EX SS

Svenska

Art nr	Benämning	Art nr	Benämning	Art nr	Benämning
400569 SS	Cyklon/lock elpolerad	42247	Jordbleck	432127	Länkhjul, H=100, D=75 låsbart ESD
400572	Cyklon, EX, elpolerad	42283	Utluftskanal med absor- bent	432159	Luftfilter
40070	Behållare, plåt	426700	Handtag	432160	Filterkudde
40514	Packning 15x8 självhäf- tande	426802	Motoröverdel DC 2800 EX230 V EU	432186	Mantel EX plast
40624-1	Behållare, 40 l, komplett rostfri SS	425806	Motoröverdel, DC 2800 EX 120 V US/CAN	4458	Packning utluftskanal 1800/2800
40666	Cellgummisnöre D=2+0,1	426808	Motoröverdel, DC 2800 EX 120V UK	485100	Lock utan hål
42027	Mikrofilter	426809	Motoröverdel, DC 2800 EX 120V UK	4852	Lock, för luftfilter
42028	Finfilter, polyester	42720-1	Filter, nedre motoröver- del EX	4866	Gummimanschett D=240
42074	Lock	42803	Chassi	940452	Modul, inlopp ESD monterad
42096	Hjulaxel	42804	Chassi handtag	9496 - B	Bruksanvisning i original, DC 1800/2800 H EX
42105	Hjul			942101-02	Modul, mantel
42150	Distans			44685	Packning
				942122-50	Spännring, cyklon- behållare

English

Part No	Description	Part No	Description	Part No	Description
400569	Cyclone/cap, rostproof	42247	Ground plate	432127	Caster H=100 ESD locking device
400572	Cyclone, EX, rostproof	42283	Outlet housing with ab- sorbent	432159	Air filter
40070	Container, metal	426700	Handle	432160	Filter pad
40514	Gasket 15x8 self-adhe- sive	426802	Motor cover, DC 2800 EX 230 V EU	432186	Sheath EX plastic
40624-1	Container, 40 l, com- plete rostproof	426804	Motor cover, DC 2800 EX 120 V US/CAN	4458	Gasket, triangular, back valve
40666	Cell Rubber Cord D=2+0.1	425806	Motor cover, DC 2800 EX 120 V US/CAN	485100	Solid cover w/o hole
42027	HEPA filter	426808	Motor cover, DC 2800 EX 120 V UK	4852	Solid cover
42028	Fine filter, polyester	426809	Motor cover, DC 2800 EX 120 V UK	4866	Rubber connector D=240
42030	Spring	42720-1	Filter, lower motor cover EX	940452	Module, inlet ESD mounted
42074	Bottom Cup	42803	Chassis	9496 - B	Original instructions DC 1800/2800 H EX
42096	Axle, for wheels	42804	Chassis handle	942101-02	Module, jacket
42105	Wheel			44685	Gasket
42150	Spacer			942122-50	Clamping ring