

FUA

FUA-1800 | FUA-2100 | FUA-3000 | FUA-4700

The FUA is an extraction fan that is specially designed to remove welding and other harmful fumes as dust, oil mist and exhaust gases.

The fan is intended and designed for mounting to extraction arms and filter units.



APPLICATIONS

The FUA is specific intended to be used for the following applications:

- MIG-MAG/GMAW welding
- TIG welding
- FCAW welding
- stick/MMAW welding
- vehicle exhaust extraction systems



Do **not** use the FUA for the following applications or in the following circumstances:

- aluminium laser cutting
- extraction of aggressive fumes and gases (e.g. from acids, alkaline or soldering paste containing lithium)
- extraction of hot gases (more than 80°C/176°F continuously)
- grinding aluminium and magnesium
- flame spraying
- extraction of cement, saw dust, wood dust, etc.
- explosive environments or explosive substances/gases



SPECIFICATIONS

Physical dimensions and properties

Material:	
• fan	aluminium
• housing	sheet metal
Colour:	
• motor	black (RAL 9005)
• housing	grey (RAL 7011)
Motor design	IEC 60072
Fan type	radial
Design conditions	20°C (68°F) at sea level
Max. airflow temperature	80°C/176°F
Performance	
Speed	2800 rpm
Electrical data	
Max. start/stops per hour	30
Insulation class	F
Protection class	IP 55

Ambient conditions

Operating temperature:	
• min.	5°C (41°F)
• nom.	20°C (68°F)
• max.	40°C (104°F)
Max. relative humidity	80%
Outdoor use allowed	no
Storage conditions	5-40°C (41-104°F) relative humidity max. 80%

Scope of supply

Fan – Connection flange with grid

Order information

Number/package	1
----------------	---

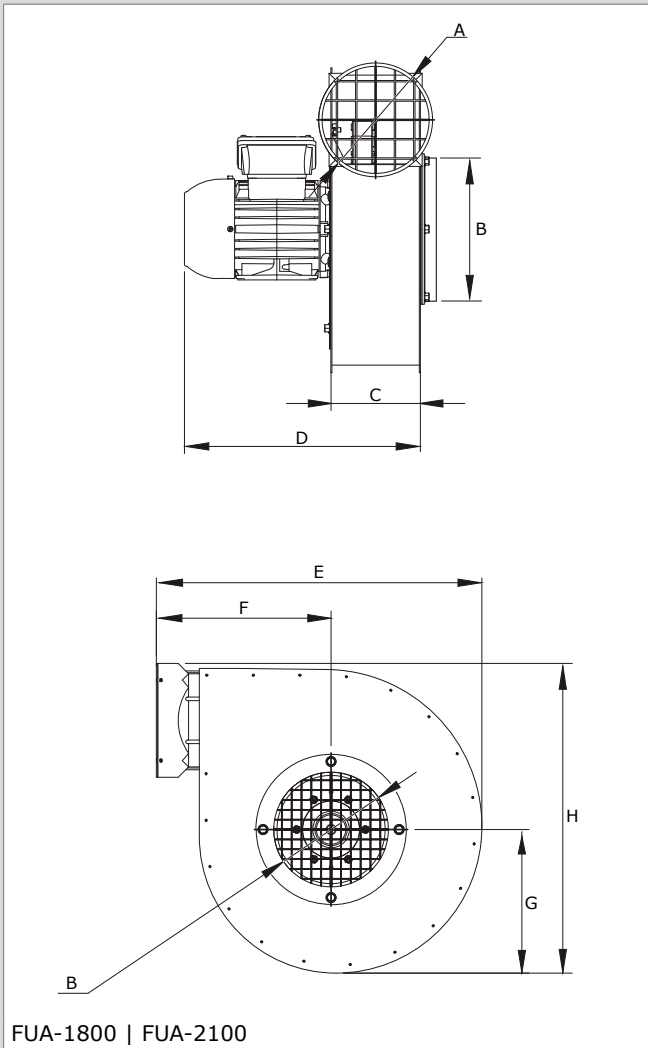
Shipping data

Harmonized Tariff Code	8414.5940.90
------------------------	--------------

APPROVALS/CERTIFICATES

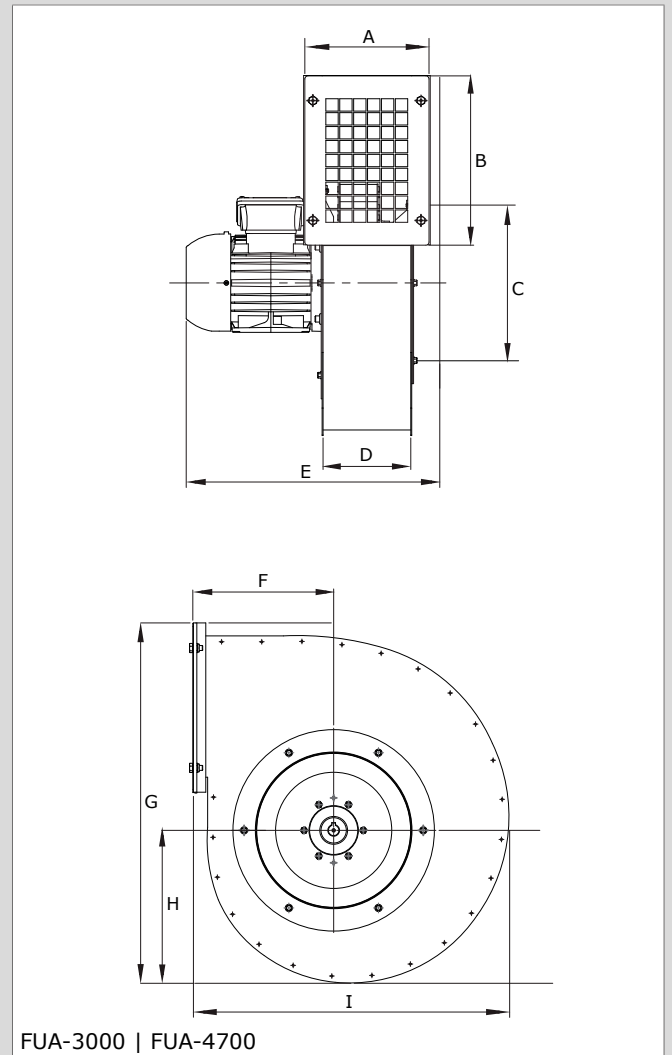
	FUA-1800 FUA-4700
	Directive 2011/65/EC (RoHS) valid as of 8 June 2011

DIMENSIONS



FUA-1800 | FUA-2100

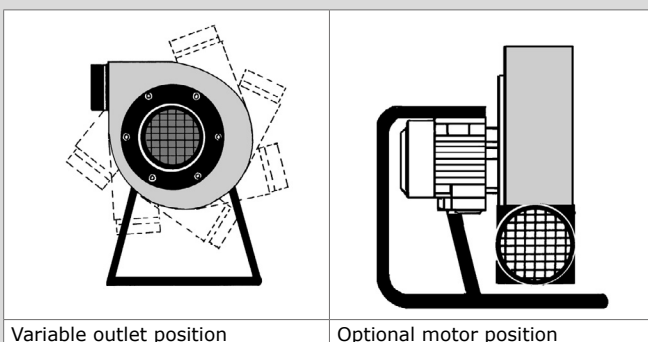
	FUA-1800		FUA-2100	
	mm	inch	mm	inch
A	Ø 160	Ø 6.3	Ø 160	Ø 6.3
B	Ø 160	Ø 6.3	Ø 160	Ø 6.3
C	122	4.8	122	4.8
D	330	12.9	353	13.9
E	455 mm	17.9	455	17.9
F	244 mm	9.6	244	9.6
G	Ø 160	Ø 6.3	Ø 160	Ø 6.3
H	433	17	433 mm	17
I	201	7.9	201 mm	7.9
Fan wheel (not shown)				
Diameter	Ø 300	Ø 11.8	Ø 300	Ø 11.8
Width	25	1	60	2.4



FUA-3000 | FUA-4700

	FUA-3000		FUA-4700	
	mm	inch	mm	inch
A	201	7.9	205	8.1
B	274	10.8	348	13.7
C	Ø 250	Ø 9.8	Ø 245	Ø 9.6
D	142	5.6	142	5.6
E	410	16.1	480	18.9
F	228	9	258	10.6
G	583	23	733	28.9
H	247	9.7	297	11.7
I	512	20.2	591	23.3
Fan wheel (not shown)				
Diameter	Ø 320	Ø 12.6	Ø 380	Ø 15
Width	60	2.4	45	1.8

DISCHARGE AND MOTOR POSITIONS



Variable outlet position

Optional motor position

Product type	FUA-1800/2100/3000/4700
Article no.	see order information
Product category	extraction fan
Version	160321/E

Always check the latest version on www.plymovent.com

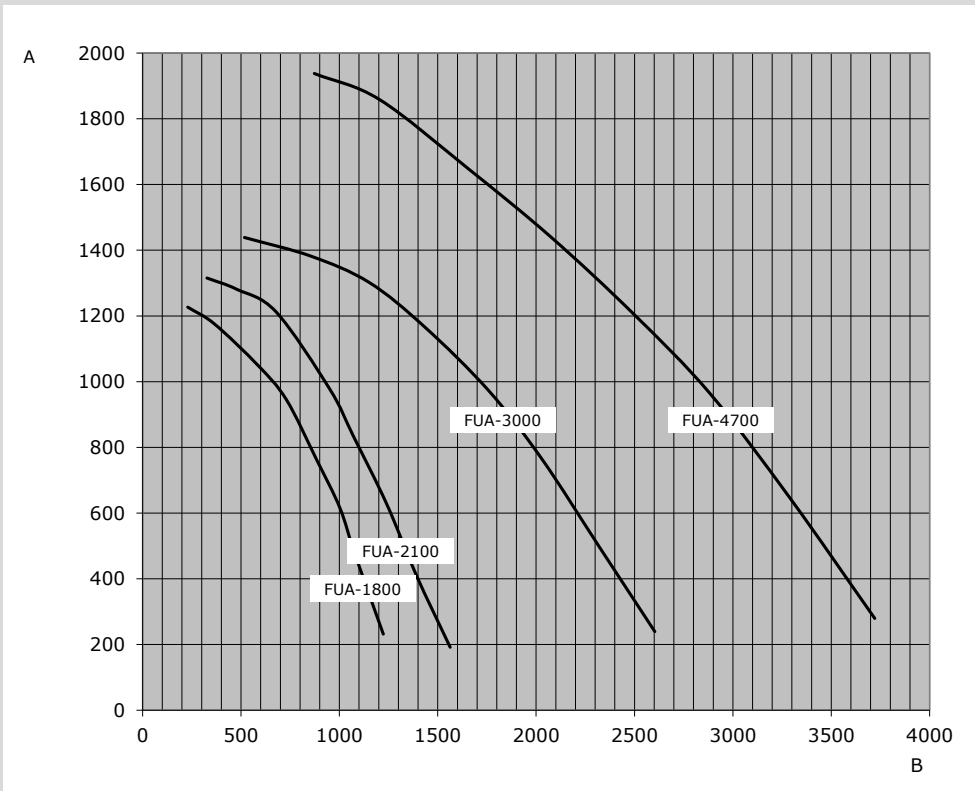
REMAINING SPECIFICATIONS AND AVAILABLE OPTIONS AND ACCESSORIES

Features	FUA-1800	FUA-2100		FUA-3000	FUA-4700
	230-400V	230V	230-400V	230-400V	230-400V
Article number	0000100303	0000100301	0000100304	0000100306	0000100308
■ Weight					
Net weight	12,3 kg (27.1 lbs)	16,5 kg (36.4 lbs)	16,4 kg (36.2 lbs)	21,9 kg (48.3 lbs)	34,5 kg (76.1 lbs)
■ Electrical data					
Connection voltages	230-400V/ 3~/50Hz	230V/ 1~/50Hz	230-400V/ 3~/50Hz	230-400V/ 3~/50Hz	230-400V/ 3~/50Hz
Power consumption	0,55 kW (0.75 HP)	0,75 kW (1 HP)	0,75 kW (1 HP)	1,1 kW (1.5 HP)	2,2 kW (3 HP)
Nominal current - 230V - 400V	- 1,5/1,4 A	5 A -	- 2/1,9 A	- 2,7/2,5 A	- 4,9/4,8 A
■ Performance					
Noise level (pressure and suction side duct connected)	63,8 dB(A)	65,9 dB(A)	65,9 dB(A)	68,1 dB(A)	75,9 dB(A)
■ Options and accessories					
<i>Fan on/off manually (wall)</i> Motor starter: - motor protection switch 230V/1~/50Hz - motor protection switch 400V/3~/50Hz	- MPS-1-1,6 A	MPS-4,0-6,3 A -	- MPS-1,6-2,5 A	- MPS-2,5-4,0 A	- MPS-4-6,3 A
<i>Fan on/off manually (on hood of extraction arm)</i> - starter for fan and working light - thermal relay 230V/3~/50Hz - thermal relay 400V/3~/50Hz	SA-24-75 MS-2.3/3.2 MS-0.9/1.3	SA-24-75 MS-4.5/6.3 -	SA-24-75 MS-2.3/3.2 MS-1.4/2.0	SA-24-75 MS-4.5/6.3 MS-2.3/3.2	SA-24-75 MS-9.0/12.5 MS-4.5/6.3
<i>Fan on/off automatically (inductive sensor)</i> - starter for fan and working light - thermal relay 230V/3~/50Hz - thermal relay 400V/3~/50Hz	ES-90-005 MS-2.3/3.2 MS-0.9/1.3	ES-90-005 MS-4.5/6.3 -	ES-90-005 MS-2.3/3.2 MS-1.4/2.0	ES-90-005 MS-4.5/6.3 MS-2.3/3.2	ES-90-005 MS-9.0/12.5 MS-4.5/6.3
<i>Fan on/off automatically (light sensor)</i> - starter for fan and working light - light sensor - thermal relay 230V/3~/50Hz - thermal relay 400V/3~/50Hz	ES-90-005 LS-12 MS-2.3/3.2 MS-0.9/1.3	ES-90-005 LS-12 MS-4.5/6.3 -	ES-90-005 LS-12 MS-2.3/3.2 MS-1.4/2.0	ES-90-005 LS-12 MS-4.5/6.3 MS-2.3/3.2	ES-90-005 LS-12 MS-9.0/12.5 MS-4.5/6.3
Mounting bracket stand (for free standing or mounting on wall, ceiling or platform)	MB-FUA/S1	MB-FUA/S1	MB-FUA/S1	MB-FUA/S2	MB-FUA/S2
Mounting bracket crane (for mounting on UK or FlexMax)	MB-FUA/C1	MB-FUA/C1	MB-FUA/C1	MB-FUA/C2	-
Outlet transition from rectangular to round - Ø 250 mm - Ø 315 mm	- -	- -	- -	OL-250 -	OL-250 OL-315
Soft connection for noise and vibration free connection to duct - inlet - outlet	SC-160 SC-160	SC-160 SC-160	SC-160 SC-160	SC-250 SC-250	SC-250 SC-250/315
■ Shipping data					
Gross weight	14,4 kg (31.8 lbs)	18,5 kg (40.8 lbs)	18,5 kg (40.8 lbs)	26 kg (57.3 lbs)	43,5 kg (95.9 lbs)
Packing dimensions	470 x 470 x 515 mm (18.5 x 18.5 x 20.3 in.)	470 x 470 x 515 mm (18.5 x 18.5 x 20.3 in.)	470 x 470 x 515 mm (18.5 x 18.5 x 20.3 in.)	590 x 590 x 480 mm (23.3 x 23.3 x 18.9 in.)	860 x 750 x 630 mm (33.9 x 29.5 x 24.8 in.)

PRODUCT COMBINATIONS

Fan type		Application	Mounting bracket
General			
FUA-1800 FUA-2100	+	(Free-)standing, wall or ceiling mounting (universal)	▶ MB-FUA/S1
FUA-3000 FUA-4700	+	(Free-)standing, wall or ceiling mounting (universal)	▶ MB-FUA/S2
Extraction arm/crane			
FUA-1800 FUA-2100	+	KUA-160 KUA-200 Junior LM-2 EconomyArm	<i>No bracket required (direct mounting on arm bracket)</i>
FUA-1800 FUA-2100	+	MultiSmart Arm-125 MultiSmart Arm-160 MultiSmart Arm-200 FlexMax UK "Plymoth" FEB crane (vehicle exhaust) EB crane (vehicle exhaust)	▶ MB-FUA/C1
FUA-3000	+	MSA-200 FlexMax UK "Plymoth" FEB crane EB crane	▶ MB-FUA/C2
FUA-3000	+	KUA-200 MultiSmart Arm-200	▶ MB-FUA/C2
Duct connection / central extraction system			
FUA-1800 FUA-2100	+	Duct connection	▶ MB-FUA/S1
FUA-3000 FUA-4700	+	Duct connection	▶ MB-FUA/S2
Hose reel / drop system			
FUA-1800 FUA-2100	+	Hose reel / drop system (vehicle exhaust)	▶ FEF-KIT

FAN CURVES



A = Static pressure (Pa)

B = Airflow (m³/h)