

## FLOWGUARD

### AIRFLOW SENSOR FOR LOCAL EXHAUST VENTILATION (LEV) SYSTEMS

The FlowGuard is an underpressure sensor to be mounted on an extraction arm or any other device to check whether the airflow is adequate. This is achieved by measuring the pressure difference inside and outside the extraction arm.

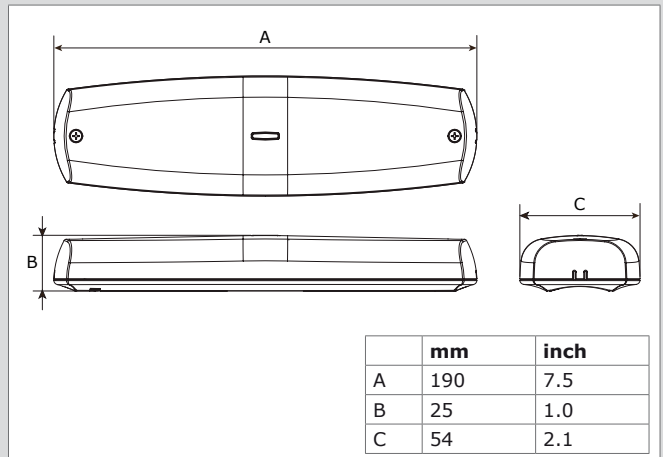
The FlowGuard runs on four batteries.




#### SPECIFICATIONS

■ Physical dimensions and properties	
Wall thickness of housing	1,5 mm (0.06 in.)
Air tubes	Ø 4 mm (0.16 in.)
Weight (net)	200 g (0.45 lbs)
Colour	grey RAL 7024
Material housing	ABS
Protection class	IP 65
Supply voltage	4 batteries AA 1.5 V
■ Performance	
Pressure setting	100-1000 Pa in steps of 60 Pa (refer to Table: pressure setting)
Adjustment	by rotary switch 0-9 + A-F (potentiometer)
Indicators:	<ul style="list-style-type: none"> <li>• green LED burning</li> <li>• red LED burning</li> <li>• red LED flashing</li> <li>• both LEDs off</li> </ul>
	<ul style="list-style-type: none"> <li>• airflow is OK</li> <li>• airflow is inadequate</li> <li>• replace batteries</li> <li>• no pressure difference (=arm not in operation) or batteries empty</li> </ul>
Battery life	approx. 12 months
■ Product combinations	
Any extraction device:	<ul style="list-style-type: none"> <li>• extraction arm</li> <li>• downdraft table</li> <li>• extraction duct</li> <li>• etc.</li> </ul>
■ Scope of supply	
Housing with airflow sensor - Screw 3.5 x 16 (2) - Battery AA 1.5 V (4) - Instruction sheet	
■ Order information	
Article number	9824000220
Number/package	1
■ Shipping data	
Gross weight	250 g (0.55 lbs)
Packing dimensions	230 x 155 x 60 mm (9.1 x 6.1 x 2.4 in.)
Harmonized Tariff Code	8421.9900.99
Country of origin	Netherlands

#### DIMENSIONS



#### APPROVALS/CERTIFICATES

	EU Directive 2002/95/EC (RoHS) (valid as of July 2006)
Compliance with:	Health and Safety Guidance HSG 258

#### SETTING

The setting is arranged by the potentiometer. After installation, select the pressure that applies to the desired airflow according to the table below. The airflow is preferably measured by means of a flowmeter.

Table: pressure setting

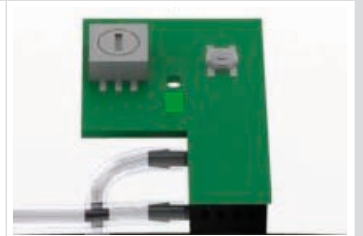
Potentiometer	Pressure	Potentiometer	Pressure
0	100 Pa	8	580 Pa
1	160 Pa	9	640 Pa
2	220 Pa	A	700 Pa
3	280 Pa	B	760 Pa
4	340 Pa	C	820 Pa
5	400 Pa	D	880 Pa
6	460 Pa	E	940 Pa
7	520 Pa	F	1000 Pa

## EXPLODED VIEW

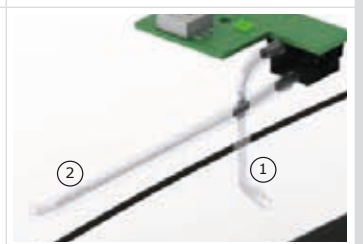


## FEATURES

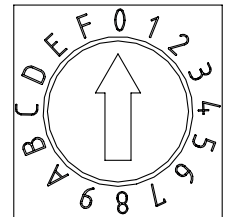
Intelligent control by microprocessor to save batteries



Pressure measurement by two air tubes:  
1. inside extraction arm  
2. reference pressure (environment)



Pressure setting by potentiometer



Easy mounting on extraction arm or any other extraction device



Product type

**FlowGuard**

Article no.

9824000220

Product category

options and accessories

Version

170211/B

Always check the latest version on [www.plymovent.com](http://www.plymovent.com).